

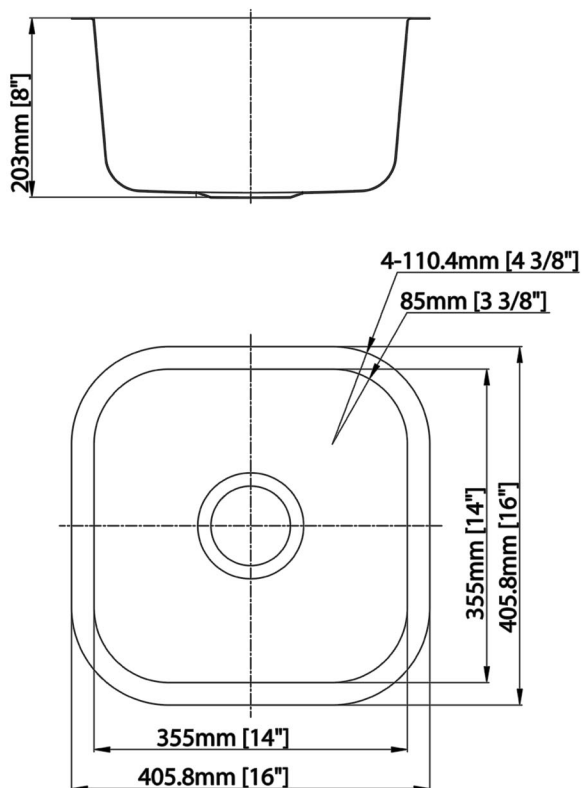
Omni™

Professional Series

Introducing the all-new Omni Professional Series. Commercial quality, pro-grade stainless steel sinks at a price point that's sure to fit any budget.

- Durable 16 & 18 gauge stainless steel construction
- Commercial quality - built tough and built to last
- Certified 304 Stainless Steel
- Strainer basket(s) and decorative drain cover(s) included
- Optional protective grid sets available
- High style without the high price
- Exceptional brushed finish bowls and deck
- Limited Lifetime Warranty

Omni Pro Dimensional Drawing Model: OM-PRO18-1616



**Protective sink grids available and sold separately*