

FEATURES

- Made from 80% quartz, only diamond is harder
- Durable; highly resistant to scratches and stains
- Non-porous surface, easy-to-clean
- Extremely hygienic, does not absorb bacteria
- Heat resistant to +500°F
- Dual-Mount installation (clips for topmount installation are pre-installed)
- PerfectFit drains for easy cleaning

STANDARDS

- Complies with ANSI Z124.6-2007
- Complies with EN 13310:2003

INCLUDED ACCESSORIES

- Custom Fit Sink Grid
- Cutting Board
- Roll-up Utility Mat
- Color Matched Strainer Basket
- Color Matched Disposal Flange*

SUPPORT DOCUMENTS

- Installation instructions available online
- Maintenance & cleaning information available online
- Warranty information available online

WARRANTY

Limited Lifetime - Residential

CARE AND CLEANING INSTRUCTIONS

Clean using warm water and a clean soft cloth, sponge or Mr. Clean® Magic Eraser®. Non-abrasive cleaners such as Bar Keepers Friend® or Soft Scrub® and detergents can also be used. Hard water, calcium and lime deposits can be removed with a 1:1 water and white vinegar solution and rinsing after 20 minutes. To restore color luster and extend the time between cleanings apply mineral oil or a commercial product such as Weiman® Granite Cleaner & Polish. Staining liquids such as wine, juice, and dyes should be rinsed off as soon as possible. Do not use abrasive cleaners, metal-scouring pads, bleach, ammonia, or other alkali cleaners.

Undermount clips sold separately.

DXF cutout templates are available online. * Fits most InSinkErator™ disposals



AVAILABLE COLORS

Shown in Concrete



Black (K)



Mocha (M)



Concrete (C)



White (W)



Beige (B)

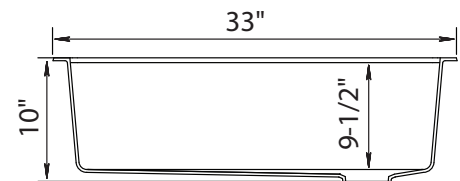
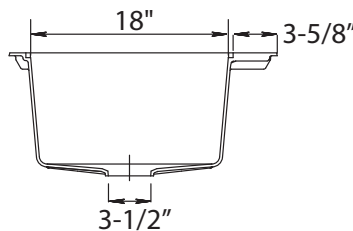
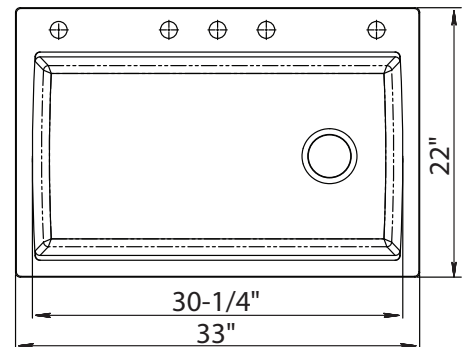
DIMENSIONS

Specifications and dimensions are not guaranteed and are subject to change without notice.

OVERALL
33" X 22"

BOWL
DEPTH
9-1/2"

DRAIN
DIAMETER
3-1/2"



JOB INFORMATION

Job Name _____

Contact _____

Date Specified: _____

Specifier: _____

Contractor: _____