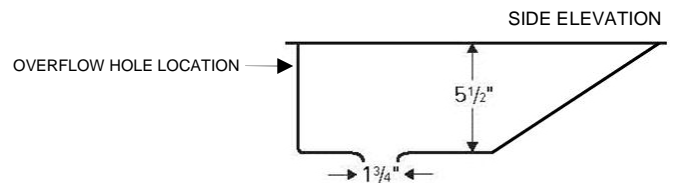
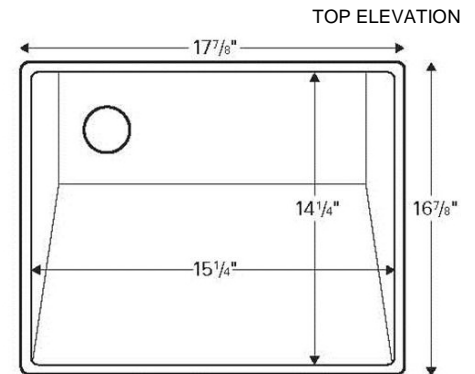


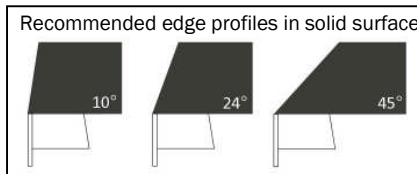
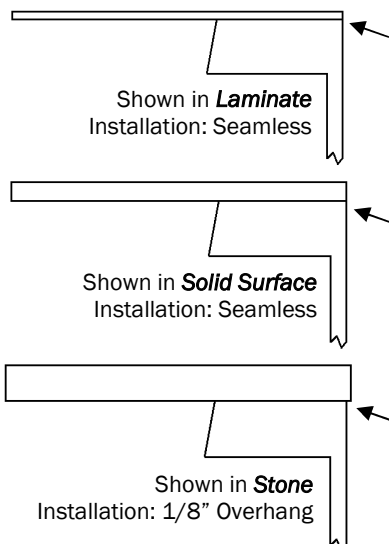
## Features and Specifications:

- Vanity sink
- 17-7/8" x 16-7/8" x 5-1/2"
- Internal volume – 900 cu.in. Internal area – 217 sq.in.
- Manufactured from 18 gauge, Type 304 stainless steel
- Underside coated with a protective coating and affixed with rubber pads for sound absorption
- 1-1/4" x 3/4" machined, resin matrix rim
- 15mm radius corners
- Sink surface has a brushed satin finish
- Can only be installed in new countertops, not existing countertops with existing sink cutout
- Undermount installation required. May not be top mounted
- This sink may be bonded seamlessly in solid surface and laminate
- This sink may be undermounted to all stone products. 1/8" overhang recommended
- Supplied without mounting adhesive, clips or template
- Digital templates for CNC machines are available at [www.karran.com](http://www.karran.com)
- Strainer basket shown not included with sink
- Overflow optional extra. To order a grid strainer with overflow use code DRAIN-GRID-OF. To order a pop-up strainer with overflow use code DRAIN-POP-OF.
- Overflow hole diameter - 7/8". Location of hole - Centered on back wall, 1-3/4" below top of sink wall.

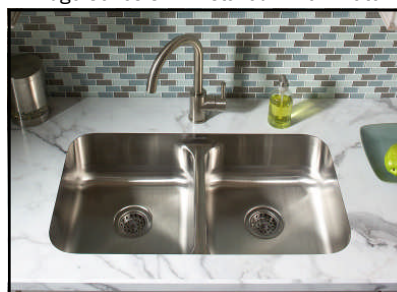
ADA Compliant when installed per Americans with Disabilities Act Accessibility Guidelines, Section 606 Sinks.



ALL DIMENSIONS ACCURATE TO 1/4"



Edge Series Sink Installed in Laminate



Edge Series Sink Installed in Solid Surface



Karran, your source for seamless integration