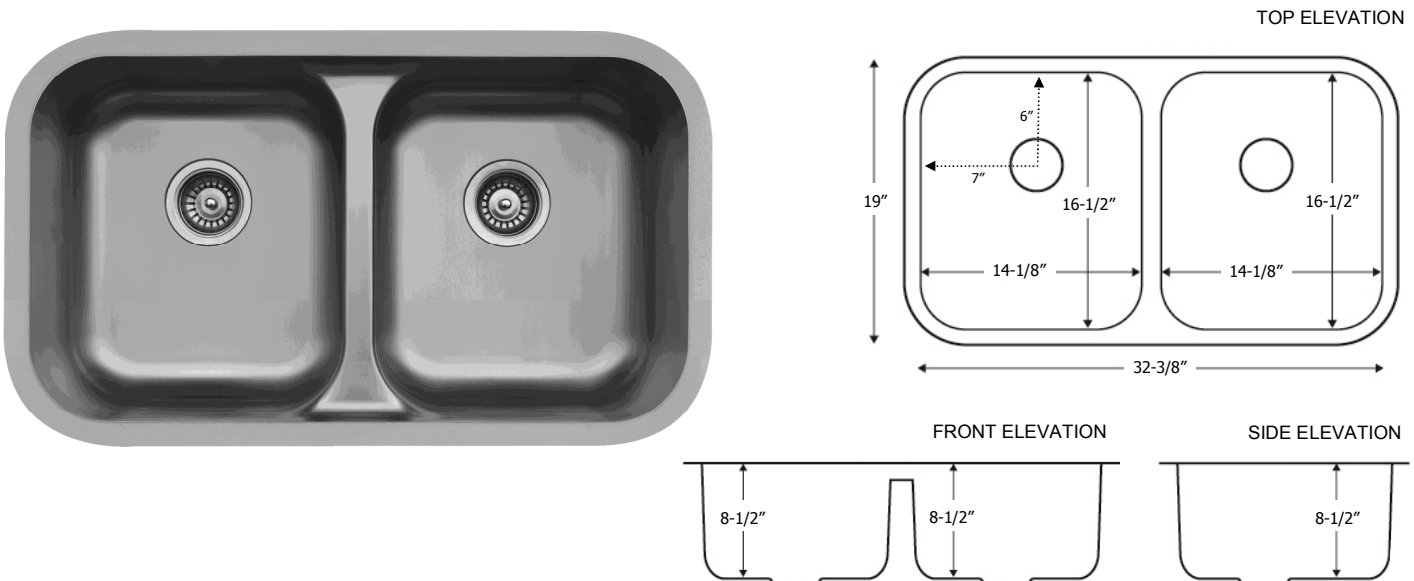
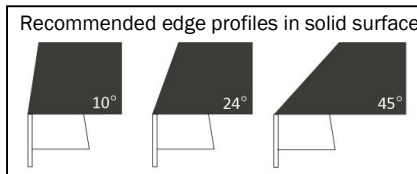
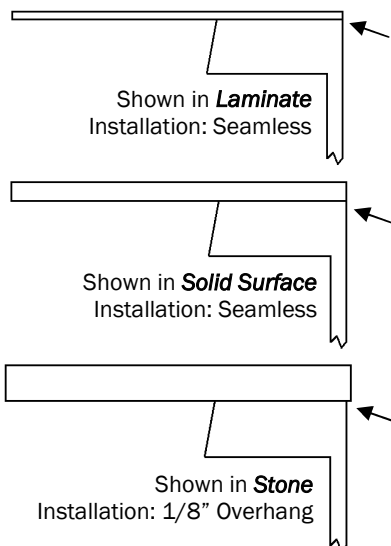


Features and Specifications:

- Double equal bowl kitchen sink.
- 32-3/8" x 19" x 8-1/2".
- Manufactured from Type 304 stainless steel.
- 18 Gauge.
- Underside affixed with multiple aluminum coated, high density rubber pads for sound absorption.
- 1-1/4" x 3/4" machined, resin matrix rim.
- Lowered bowl divider [height - 6-3/4"].
- Waste opening: 3-1/2".
- Sink surface has a brushed soft satin finish.
- Can only be installed in new countertops, not existing countertops with existing sink cutout.
- Undermount installation required. May not be top mounted.
- This sink may be bonded seamlessly in solid surface and laminate.
- This sink may be undermounted to all stone products. 1/8" overhang recommended.
- Supplied without mounting adhesive, clips or template.
- Digital templates for CNC machines are available at www.karran.com.
- Strainer baskets shown not included with sink.



ALL DIMENSIONS ACCURATE TO 1/4"



Edge Series Sink Installed in Laminate



Edge Series Sink Installed in Solid Surface



Karran, your source for seamless integration